

## VOC GAS DETECTORS

Industry leading VOC detection from International Gas Detectors.

Offering the broadest application VOC detection using breakthrough PID technology. Capable of measuring over 300 compounds with ionisation energy of 10.6eV or lower.

Available for ATEX applications and safe areas either as stand alone detectors or as part of a networked system. Detectors can be diffusion based or as sampling gas detectors to suit the application.

### ▶ RANGE OPTIONS

Range options to suit your application

0-50ppm      0-200ppm      0-5,000ppm  
0-100ppm      0-2,000ppm

### ▶ Non-Electrode UV Lamp Design

IGD PID's proprietary ultraviolet (UV) lamp technology utilises non-electrode UV lamp design. This curtails the effects of sputtering and contamination which is a major drawback of current PID technology.

### ▶ Industry Leading Long Lamp Life

Our new standard for PID technology raises the bar for VOC detection. With our non-electrode UV patent design ensures your IGD PID sensor will last in excess of 15,000+ hours. This is a 50% increase in lamp life compared to the industry standard!

### ▶ Unique Patent Electrode Stack Design

Our unique electrode stack design ensures the common issues of humidity and temperature are negated and does not affect our VOC detectors. This also eliminates false readings and drift.

*IGD new range of PID Detectors are setting a new standard for VOC detection. Detectably better PID from the experts in gas detection.*



\* Terms and Conditions Apply

Always use latest version data sheets from IGD website



internationalgasdetectors.com  
+44 (0)161 483 1415  
sales@internationalgasdetectors.com  
/international-gas-detectors-ltd

Triton House  
Crosby Street  
Stockport  
SK2 6SH

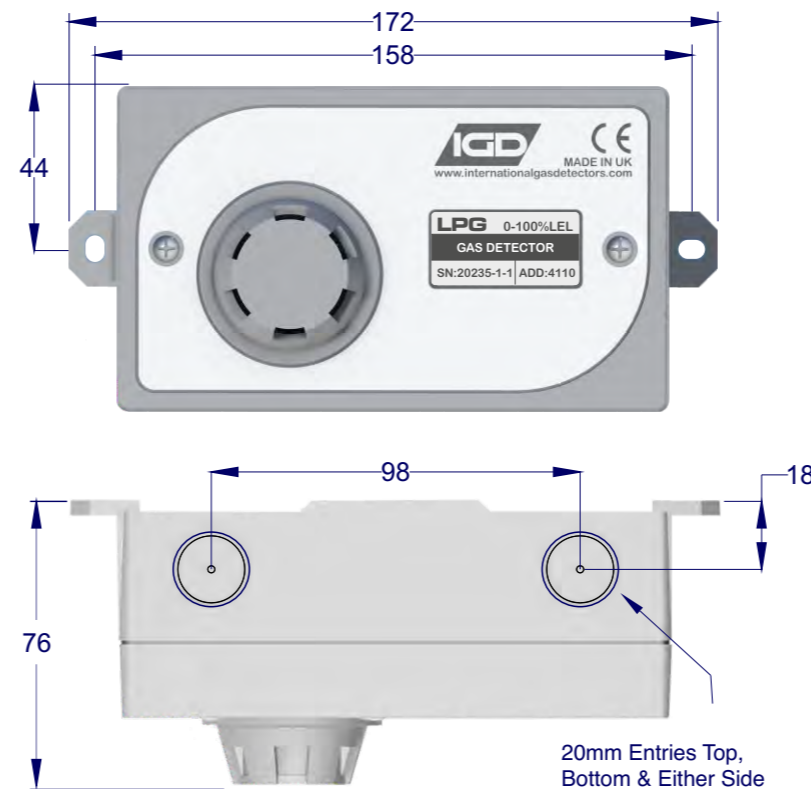


## International Gas Detectors

# TOCSIN 750 SERIES SAFE AREA Addressable PID VOC Detector for Non-ATEX Areas

IGD's TOC-750 safe area gas detectors have been designed for light industrial and commercial environments. Providing clients with a detector suited for their application.

### DIMENSIONS



### ORDER CODES

Part Number	Description
<b>Diffusion Types</b>	
TOC-750-PID05	0-50ppm Isobutylene Range
TOC-750-PID01	0-100ppm Isobutylene Range
TOC-750-PID02	0-200ppm Isobutylene Range
TOC-750-PID20	0-2000ppm Isobutylene Range
TOC-750-PID50	0-5000ppm Isobutylene Range

Full information see individual data sheets for TOC-750 safe area detectors and TOC-750S series samplers.

### CABLES

Supported Installation Cables 2 Core 1.5mmSQ or 2.5mmSQ See IGD Cable System Calculator

Typically SWA, FP200, CY Screened or Similar



### GENERAL SPECIFICATIONS

<b>Power</b>	12 to 26V DC
<b>Construction</b>	ABS
<b>Sensor</b>	Direct Pellistor Interface Input for IGD Toxic, Oxygen, Infra red and PID detectors
<b>Communication</b>	IGD Sentinel+ Protocol, 2-Wire Connection L1,L2
<b>I/O Diffusion Types</b>	1 off SPCO Relays 4A/230V AC Non-Inductive User Configurable from 650/750 Controllers 2 multifunction ports as: Digital Input Max 0.2Hz Digital Input 0-3V Max 0.2Hz 4-20mA input or Solid State Output 24V DC Max 300mA shared Across both Ports

*\*\*Please see individual datasheets for full detector specifications  
These can be found on [internationalgasdetectors.com/downloads](http://internationalgasdetectors.com/downloads)*

*Or on: [www.internationalgasdetectors.com/product/toc-750-addressable-safe-area-gas-detector/](http://www.internationalgasdetectors.com/product/toc-750-addressable-safe-area-gas-detector/)*

### DIFFUSION TYPE FEATURES

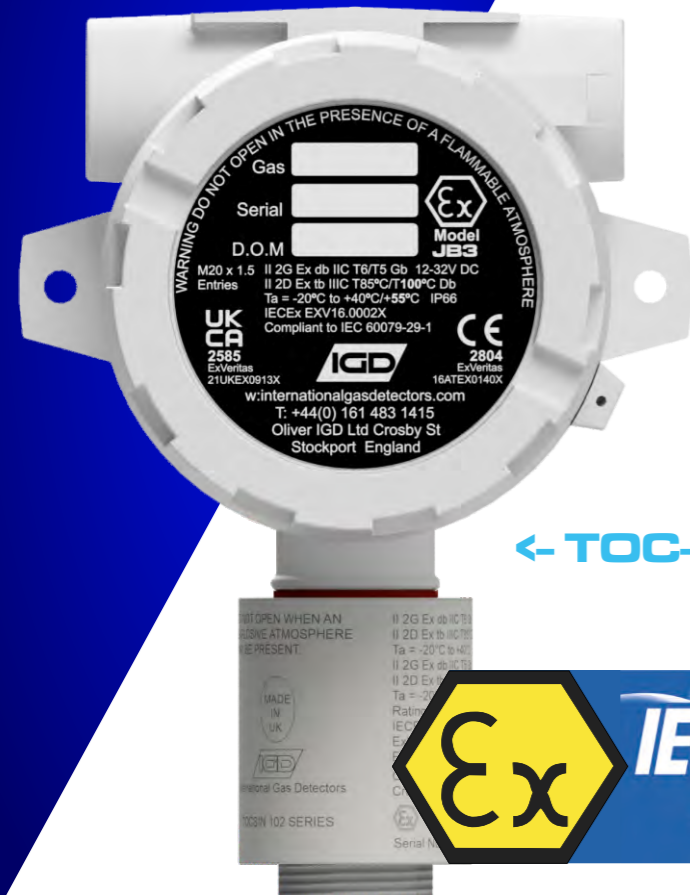
- > IGD Industry Unique Sentinel+ Digital/Addressable Technology.
- > IP54 Waterproof and Dust Proof.
- > 7 Input and output per TOC-750 detector node.
- > Versatile PID design for over 300 VOC gases.
- > Unique IGD labyrinth sensor design protects sensors from dust and dirt ingress.
- > Service via secure wifi pages.
- > Typically 70% cost saving on installation alone.
- > In excess of 15,000 hours runtime, 50% more than competitors.
- > Plug replaceable sensors - pre-calibrated.
- > Low ppm detection levels available.
- > 10 Year warranty (terms and conditions apply)
- > Secure digital communication.
- > Not effected by humidity
- > Minimising false readings



International Gas Detectors

**TOCSIN 750X SERIES**  
Addressable Photoionisation Detector

IGD's PID sensors are the most accurate and stable PID detectors available on the market. The TOC-750X series is an ATEX Addressable detector using our leading digital technology.



← TOC-750X



← TOC-750XD



**GENERAL SPECIFICATIONS**

Power	12 to 26V DC
Construction	Junction Box: Aluminium Alloy, Powder Coated (Stainless Steel Option) Detector: 316 Stainless Steel
Communication	IGD Sentinel+ Protocol, 2-Wire Connection L1,L2
Temperature	-20 to 55 Deg C**
Humidity	0-95% RH Non-Condensing
Sealing	Junction Box: IP66 Sensor:IP66
Mounting	Wall Mount
Weight	1.35Kg
ATEX/IECEX	Zone1 and 2 (Gas). 21 and 22 (Dust)

**\*\*Please see individual datasheets for full detector specifications and ATEX/IECEX approvals**  
**These can be found on**  
[internationalgasdetectors.com/downloads](http://internationalgasdetectors.com/downloads)  
**Or on:**  
[www.internationalgasdetectors.com/product/750-atex-addressable-gas-detector/](http://www.internationalgasdetectors.com/product/750-atex-addressable-gas-detector/)

**FEATURES**

- > IGD Industry Unique Sentinel+ Digital/Addressable Technology.
- > IP67 Waterproof and Dust Proof.
- > ATEX/IECEX rated for Zone 1 and 2 (Gas) 21 and 22 (Dust)
- > Versatile PID design for over 300 VOC gases.
- > Display and non-display options.
- > Service via secure wifi pages.
- > Typically 70% cost saving on installation alone.
- > In excess of 15,000 hours runtime - 50% more than competitors.
- > Plug replaceable sensors - pre-calibrated.
- > Low ppm detection levels available.
- > 10 Year warranty (terms and conditions apply)
- > Secure digital communication.
- > Not effected by humidity
- > Minimising false readings

**ORDER CODES**

Part Number	Range	Description
> TOC-750X-PID05	0-50ppm	ATEX/IECEX Addressable Isobutylene Calibration
> TOC-750X-PID01	0-100ppm	ATEX/IECEX Addressable Isobutylene Calibration
> TOC-750X-PID02	0-200ppm	ATEX/IECEX Addressable Isobutylene Calibration
> TOC-750X-PID20	0-2,000ppm	ATEX/IECEX Addressable Isobutylene Calibration
> TOC-750X-PID50	0-5,000ppm	ATEX/IECEX Addressable Isobutylene Calibration

Please note for TOC-750XD part numbers please contact IGD

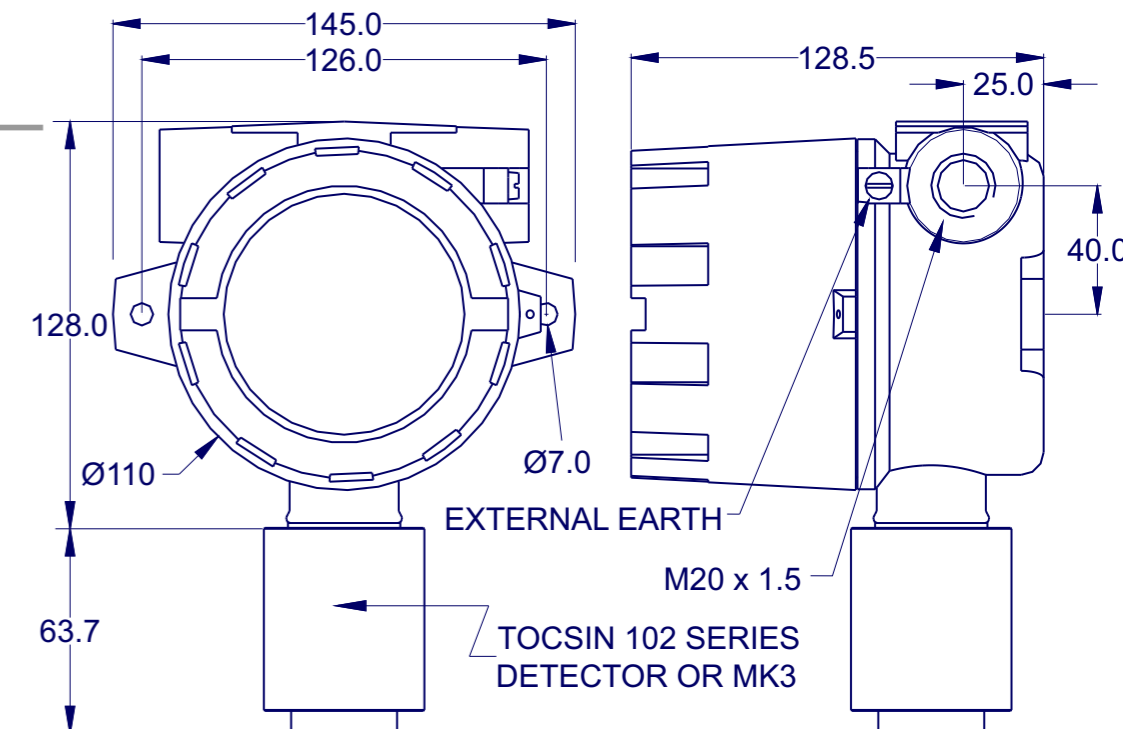
**CABLES**

Supported Installation Cables 2 Core 1.5mmSQ or 2.5mmSQ See IGD Cable System Calculator

Typically SWA, FP200, CY Screened or Similar



**DIMENSIONS**





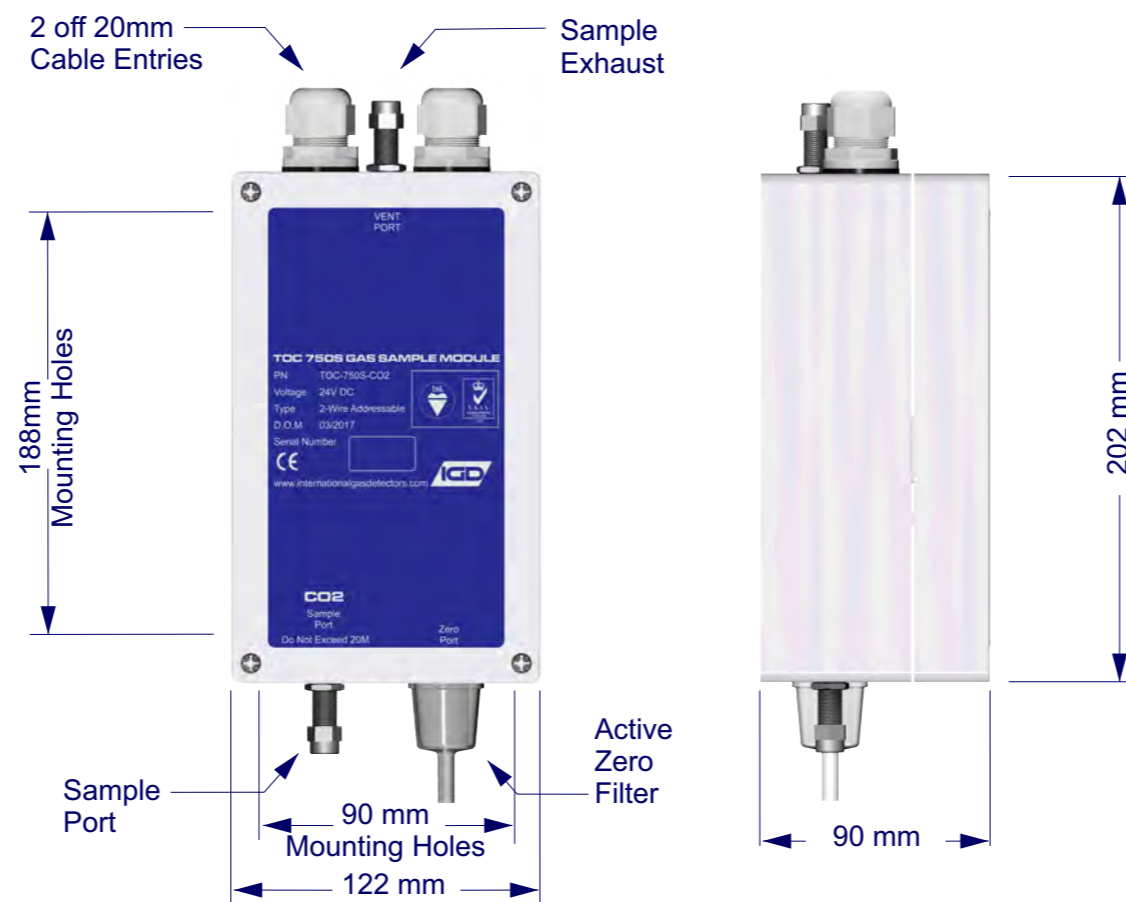
International Gas Detectors

# TOCSIN 750S SERIES SAMPLER

## Addressable Sampling (Aspirated) Gas Detector

The TOC-750S aspirated VOC detector is ideal for areas that are hard to access, potentially harmful for sensors or areas that need stable low level VOC alarms.

### DIMENSIONS



### ORDER CODES

Part Number	Description
<b>Sampling Types</b>	
TOC-750S-PID05	0-50ppm Isobutylene Range
TOC-750S-PID01	0-100ppm Isobutylene Range
TOC-750S-PID02	0-200ppm Isobutylene Range
TOC-750S-PID20	0-2000ppm Isobutylene Range
TOC-750S-PID50	0-5000ppm Isobutylene Range

Full information see individual data sheets for TOC-750S series samplers.

### CABLES

Supported Installation Cables 2 Core 1.5mmSQ or 2.5mmSQ See IGD Cable System Calculator

Typically SWA, FP200, CY Screened or Similar



### GENERAL SPECIFICATIONS

Power	12 to 26V DC
Construction	ABS
Sensor	Direct Pellistor Interface
	Input for IGD Toxic,Oxygen, Infra red and PID detectors
Communication	IGD Sentinel+ Protocol, 2-Wire Connection L1,L2
I/O Samplers	4 off SSR outputs (switched Neg 24v DC, common 200mA load shared across all O/P's) Op1 dedicated to low flow.
Sealing	IP54

*\*\*Please see individual datasheets for full detector specifications. These can be found on [internationalgasdetectors.com/downloads](http://internationalgasdetectors.com/downloads)*

*Or on: [www.internationalgasdetectors.com/product/tocsin-750s-aspirated-gas-detector/](http://www.internationalgasdetectors.com/product/tocsin-750s-aspirated-gas-detector/)*

### SAMPLER FEATURES

- > IGD Industry Unique Sentinel+ Digital/Addressable Technology.
- > Sample up to 20M away.
- > Versatile PID design for over 300 VOC gases.
- > Non-Electrode UV Lamp design eliminating the effects of sputtering and contamination.
- > Service via secure wifi pages.
- > Typically 70% cost saving on installation alone.
- > In excess of 15,000 hours runtime, 50% more than competitors.
- > Plug replaceable sensors - pre-calibrated.
- > Low ppm detection levels available.
- > 10 Year warranty (Terms and Conditions apply)
- > Secure digital communication.
- > Not effected by humidity
- > Minimising false readings



International Gas Detectors

## TOCSIN 903 SERIES Standalone ATEX PID Gas Detector

TOCSIN 903 Series ATEX Transmitters can be fitted with any of the VOC range options available from IGD as well as any other detector type from our wide range.

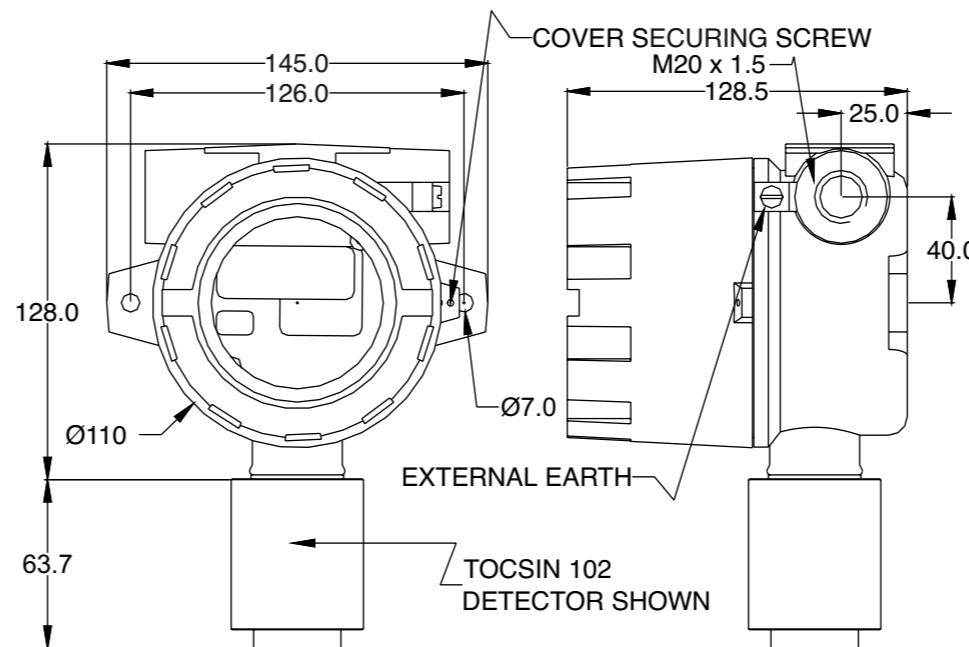


### ORDER CODES 4-20mA OUTPUT

Part Number	Description
TOC-903-PID05	0-50ppm as Isobutylene
TOC-903-PID01	0-100ppm as Isobutylene
TOC-903-PID02	0-200ppm as Isobutylene
TOC-903-PID20	0-2000ppm as Isobutylene
TOC-903-PID50	0-5000 ppm as Isobutylene

### ORDER CODES RELAY & 4-20mA OUTPUT

Part Number	Description
TOC-903R-PID05	0-50ppm as Isobutylene
TOC-903R-PID01	0-100ppm as Isobutylene
TOC-903R-PID02	0-200ppm as Isobutylene
TOC-903R-PID20	0-2000ppm as Isobutylene
TOC-903R-PID50	0-50000 ppm as Isobutylene



### CABLES

Supported Installation Cables 2 Core 1.5mmSQ or 2.5mmSQ See IGD Cable System Calculator

Typically SWA, FP200, CY Screened or Similar



### SPECIFICATIONS

Power	18 TO 32V DC with Relay Option. Typically 4W 12 to 32V DC without Relay Option.
Electrical Outputs	3 Wire 4-20mA (4-Wire Addressable Capability)
JB Housing Material	Junction Box, Copper Free Aluminium Alloy Epoxy Coated Option for 316 Stainless Steel and Marine Paint Finishes
Sensor Housing Material	Sensor, Stainless Steel 316 S16
Explosion Protection	Zone 1 and 2 (gas) and 21 and 22 (Dust)
Explosion Protection Sensor	Zone 1 and 2 (Gas) 21 and 22 (Dust)
Housing Dimensions (mm)	110 Diameter x 127 High Plus Detector Option
Cable Entry	2 x M20 X1.5 , NPT Options 1 x M20 X 1.5 Detector Entry

**\*\*Please see individual datasheets for full detector specifications and approvals. These can be found on [internationalgasdetectors.com/downloads](http://internationalgasdetectors.com/downloads)**

**Or on: [www.internationalgasdetectors.com/product/tocsin-903-atex-standalone-gas-detector-transmitter/](http://www.internationalgasdetectors.com/product/tocsin-903-atex-standalone-gas-detector-transmitter/)**

### TOC-903 FEATURES

- > Standalone 4-20mA and relay outputs
- > IP68 Waterproof and Dust Proof.
- > Versatile PID design for over 300 VOC gases.
- > Non-Electrode UV Lamp design eliminating the effects of sputtering and contamination.
- > In excess of 15,000 hours runtime, 50% more than competitors.
- > Plug replaceable sensors - pre-calibrated.
- > ATEX/IECEx Zone 1 and 2 (Gas) and 21 and 22 (Dust)
- > 10 Year warranty (Terms and Conditions apply)
- > One-man calibrations
- > Non-intrusive magnetic wand display
- > Not effected by humidity
- > Minimising false readings

### Talk to the Experts in PID Technology and VOC Gas Detection

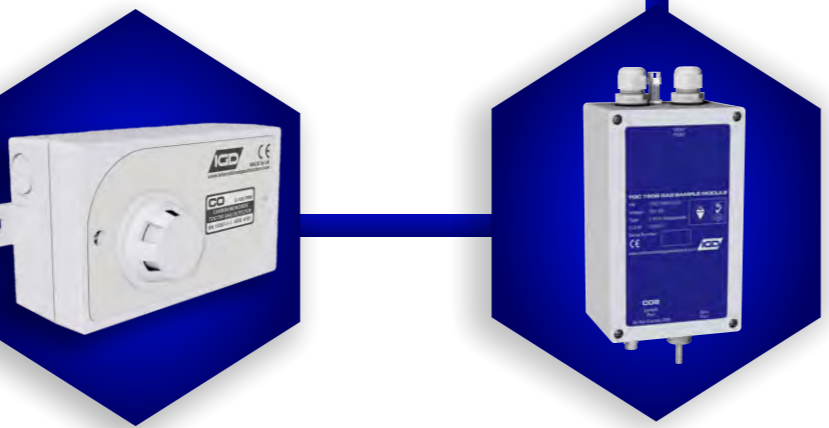
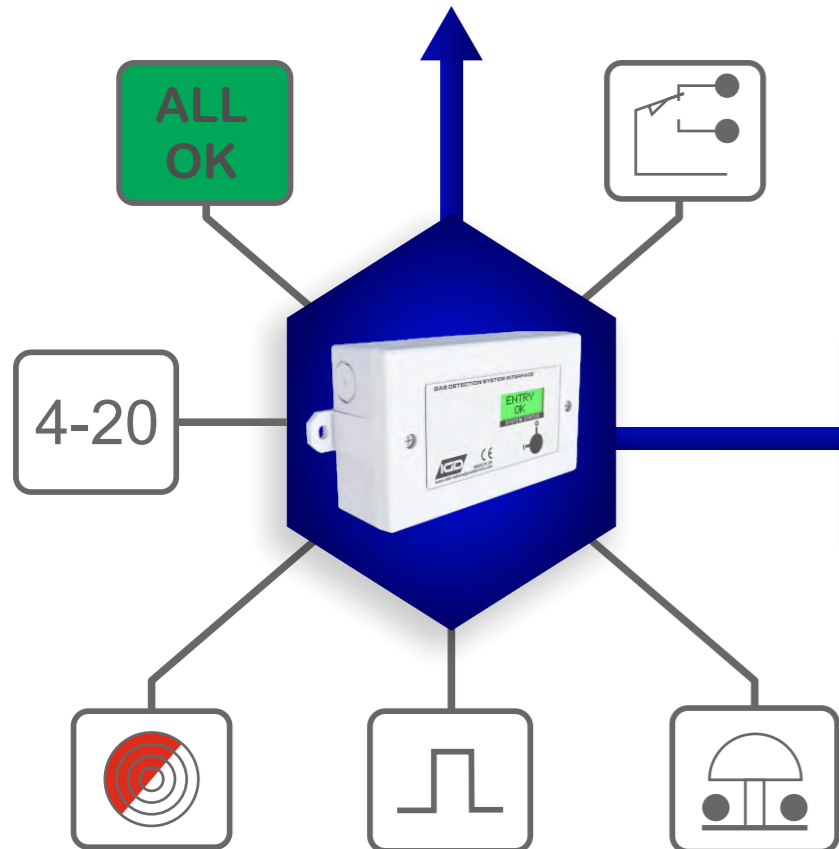
IGD offer 10 year warranty on our PID gas detectors\* and paired with our specialist knowledge in PID detectors, you are guaranteed to be getting the highest quality of aftercare. IGD are the oldest, independent gas detection manufacturer in the world with 100 years of gas detection experience, over 2 decades of PID sensor experience and an aftercare team that are available around the UK and worldwide. We can offer detectably better, PID detectors coupled with expert training and information on photoionisation detectors, straight from the manufacturer.



TOC-750 Series Gas Detectors can be addressably connected to:

TOC-635, TOC-650 or TOC-750 Controllers.

Up to 32 detector nodes or I/O devices can be interfaced on each addressable cable run.



Room status Indicators.  
ATEX Gas Detectors.  
Sampling Gas Detectors.  
I/O Cards.  
One System, Ultimate Flexibility, No Compromises.

# THE POWER OF 2

One 2-Core Cable - Everything Connected



OPTIONS	SAFE AREA	ATEX	SAMPLER	RSI
Sensor I/P Toxic, IR, PID	1	1	2	N
Sensor I/P Pellistor	1	1	1	1
4-20mA I/P *	2	2 <sup>†</sup>	N	2
Digital I/P *	2	2 <sup>†</sup>	N	2
Counter I/P *	2	2 <sup>†</sup>	N	2
Relay O/P *	2	2 <sup>†</sup>	N	1
Digital O/P *	2	2 <sup>†</sup>	4	2
2 x 8 Display	N	1	N	1
Sounder	1 <sup>††</sup>	N	N	1
Estop	N	N	N	1
Key Switch	N	N	1	1

### KEY

- Room Status Indicator
- Control Relay
- mA Input Signal
- Beacon - Sounder
- Digital Input
- E-Stop / Break Glass / Call Point

- <sup>†</sup> In order to utilise this option a break out junction box is required.
- <sup>\*</sup> 2 Multi-Function I/O Ports. Option Selectable in Any Combination
- <sup>††</sup> 750B Version With Audible and Visual Alarms
- 1** Number available per a detector.

*\*\*Please see individual datasheets for full detector specifications  
These can be found on [internationalgasdetectors.com/downloads](http://internationalgasdetectors.com/downloads)*